

DATA SHEET

**DT 4.16**

# ROTARY VANE COMPRESSORS

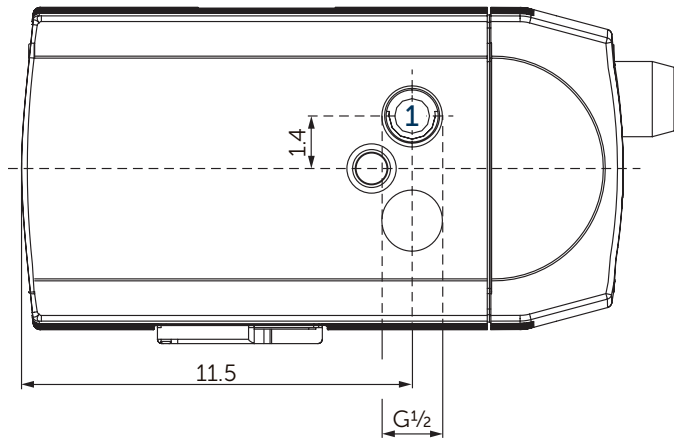
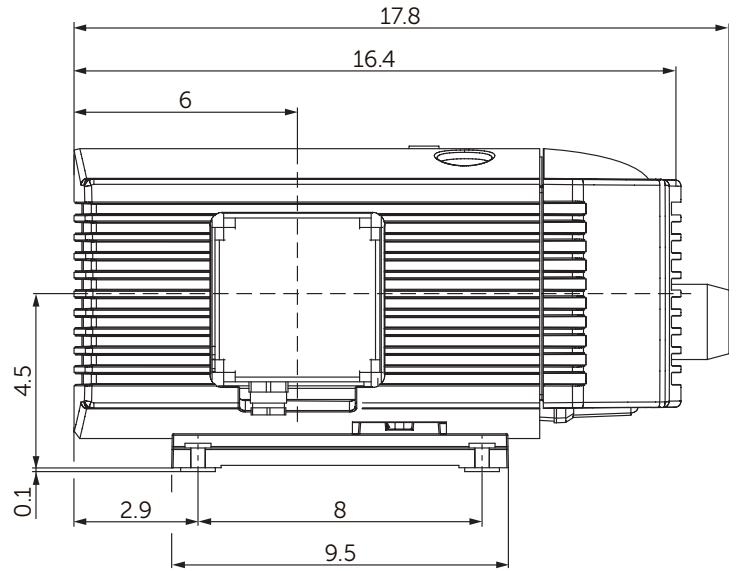
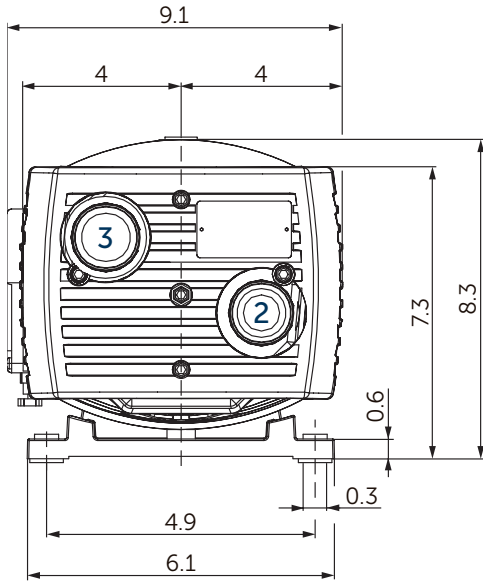
oil-free

air-cooled

---

**MAKE IT BECKER.**





- 1 Pressure connection (G $\frac{1}{2}$ )
- 2 Pressure regulating valve
- 3 Air nozzle
  - Including integrated suction air filter
  - The motor illustration may vary
  - Dimensions in inch

Blast air rate		Pressure		Emission sound pressure level <sup>1)</sup>		Weight incl. motor <sup>2)</sup>
50 Hz	60 Hz	50 Hz	60 Hz	50 Hz	60 Hz	lbs
9.4	11.2	14.5	14.5	62	64	≈51.8

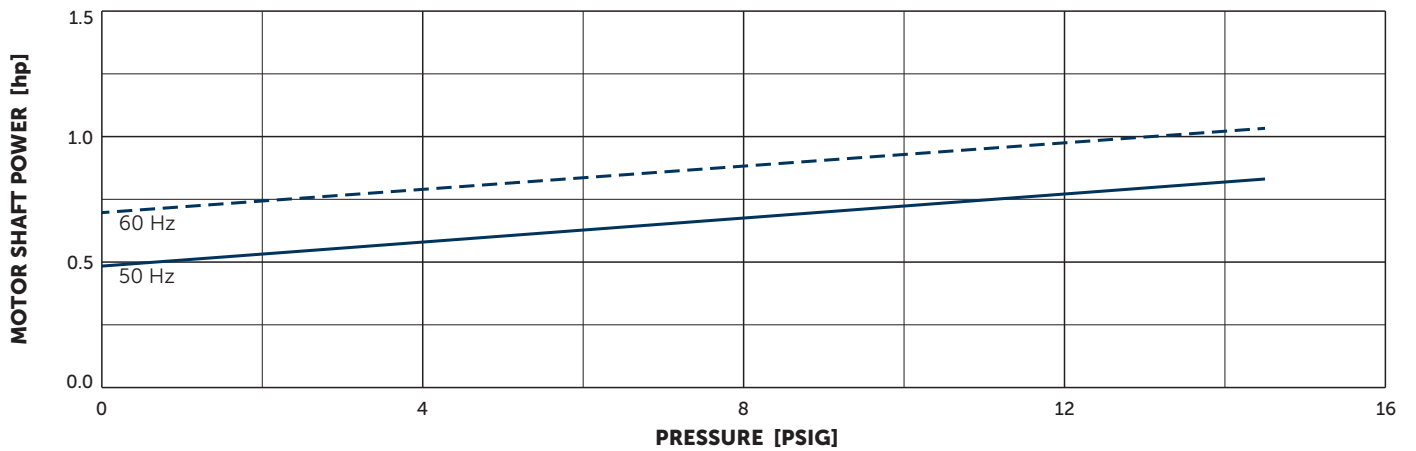
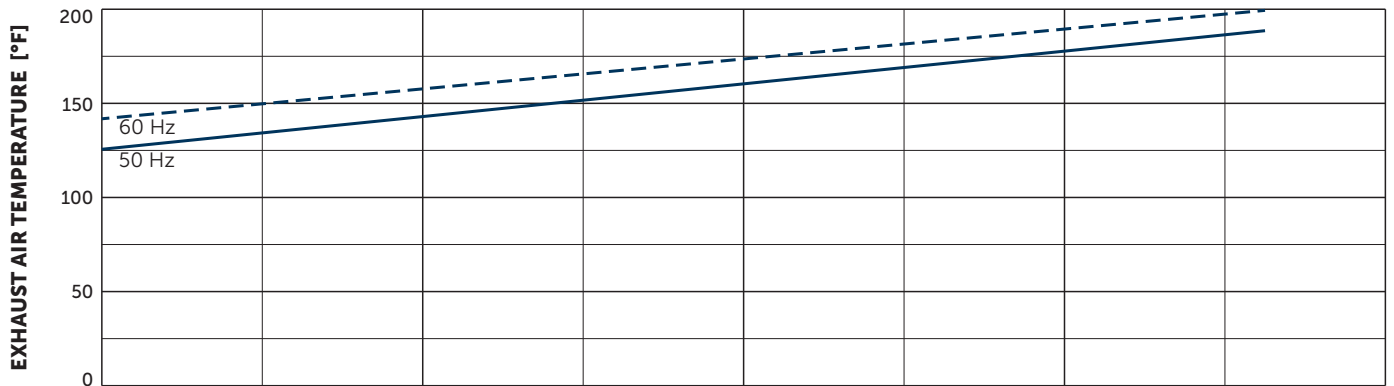
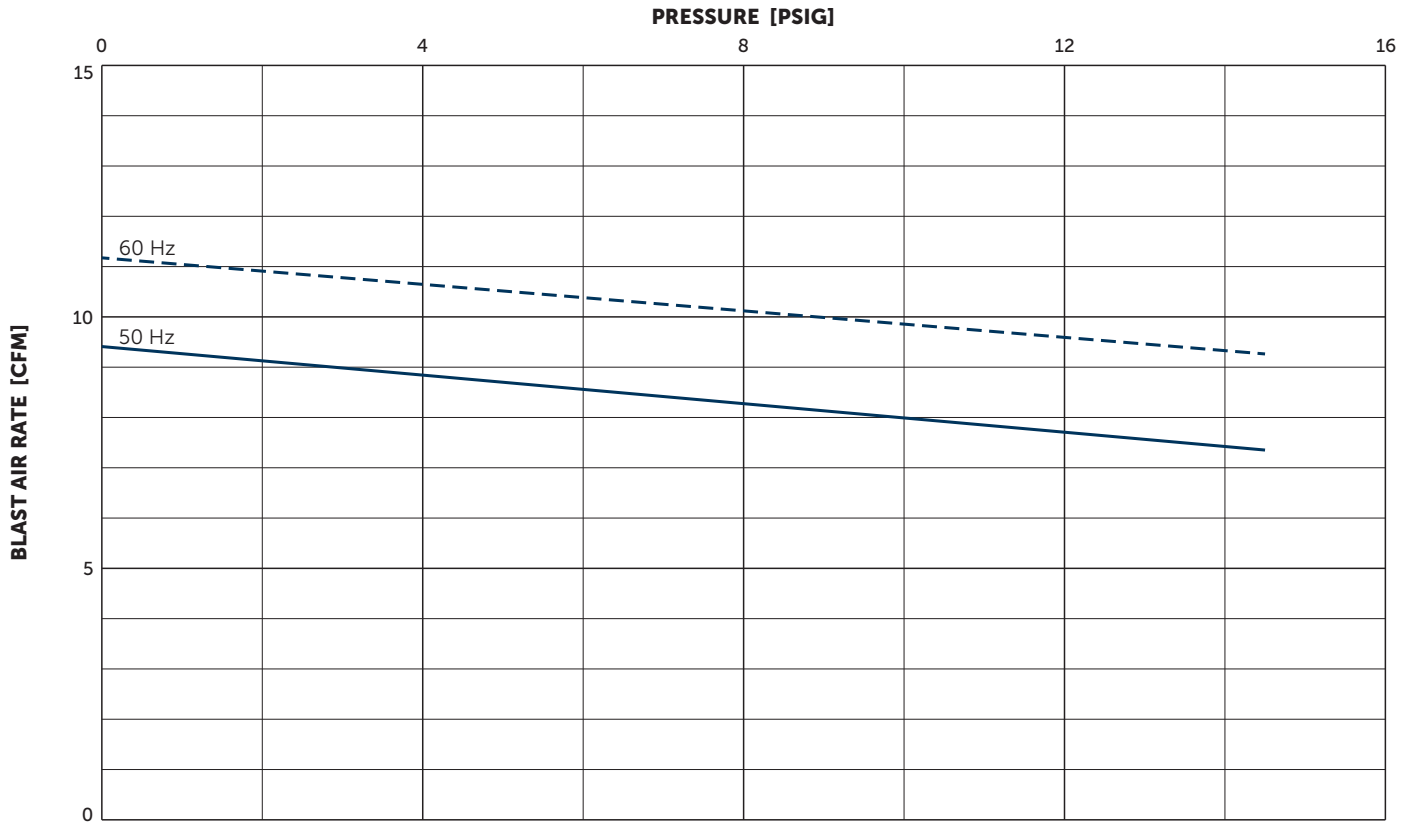
<sup>1)</sup> According to DIN EN ISO 3744 (KpA = 3 dB(A)), 39.4 inch distance, at medium load, both connection sides piped

<sup>2)</sup> Depending on the motor

3~ Motors											
#	50 Hz				60 Hz				Version		
	hp	V	rpm	A	hp	V	rpm	A			
01	0.7	Δ230/Y400	IE2	1445	3.10-1.79	Δ265/Y460	IE2	1740	3.05-1.76	IP54 • ISO F PTO (bimetal) 150°C	
						Δ230/Y400	IE2	1715	3.03-1.75		
						Δ208/Y360	IE2	1690	3.14-1.81		
02	0.7	175-260/ 300-450	-	1420	3.8/2.2	0.9	202-300/ 350-520	-	1700	3.9/2.25	IP54 • ISO F

1~ Motor										
#	50 Hz				60 Hz				Version	
	hp	V	rpm	A	hp	V	rpm	A		
01	0.7	230 ±10%	1360	4.6	0.9	230 ±10%	1600	5.2	IP54 • ISO F 20 μF (450 V)	
02					0.9	115 ±6%	1630	9.5	UL(E123782) IP54 • ISO F 80 μF (240 V)	

- Current consumption and rotation speed may vary. Tolerance in each case -1.5/+2%



Reference data (atmosphere): 0 PSIG, 68°F; Tolerance: ±5%  
 Air temperature: 41°F ... 135°F

## **+** VARIANTS AND ACCESSORIES

- With external suction filter<sup>1)</sup>
- Sound proof box SH 20<sup>1)</sup>



Example for an external suction filter



Sound proof box SH 20

<sup>1)</sup> See separate data sheet

- Possible combinations on request



**MAKE IT BECKER.**